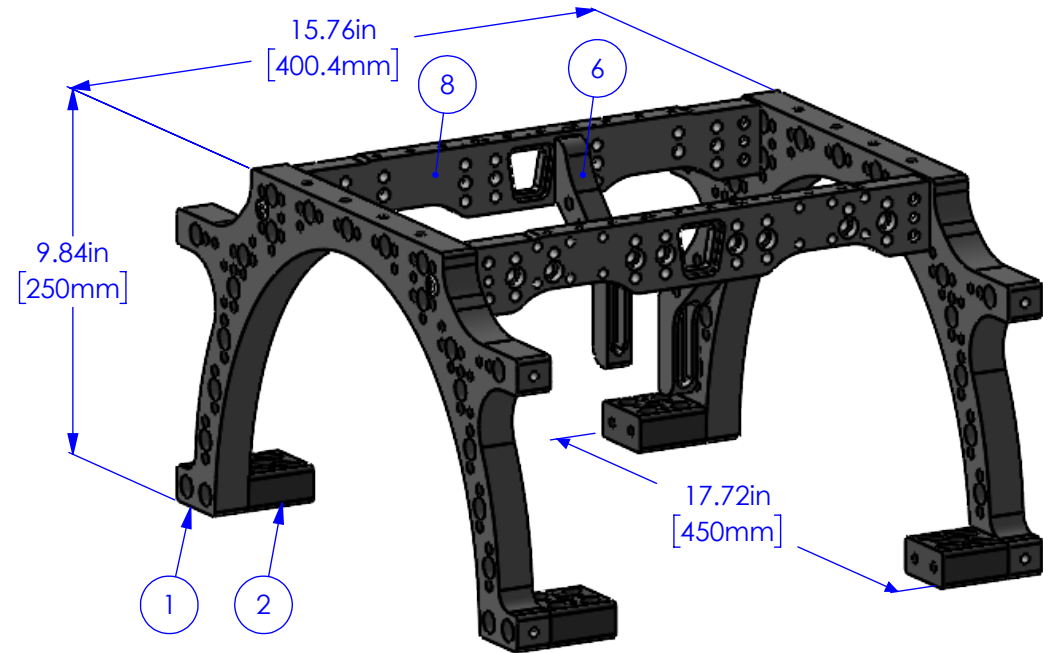
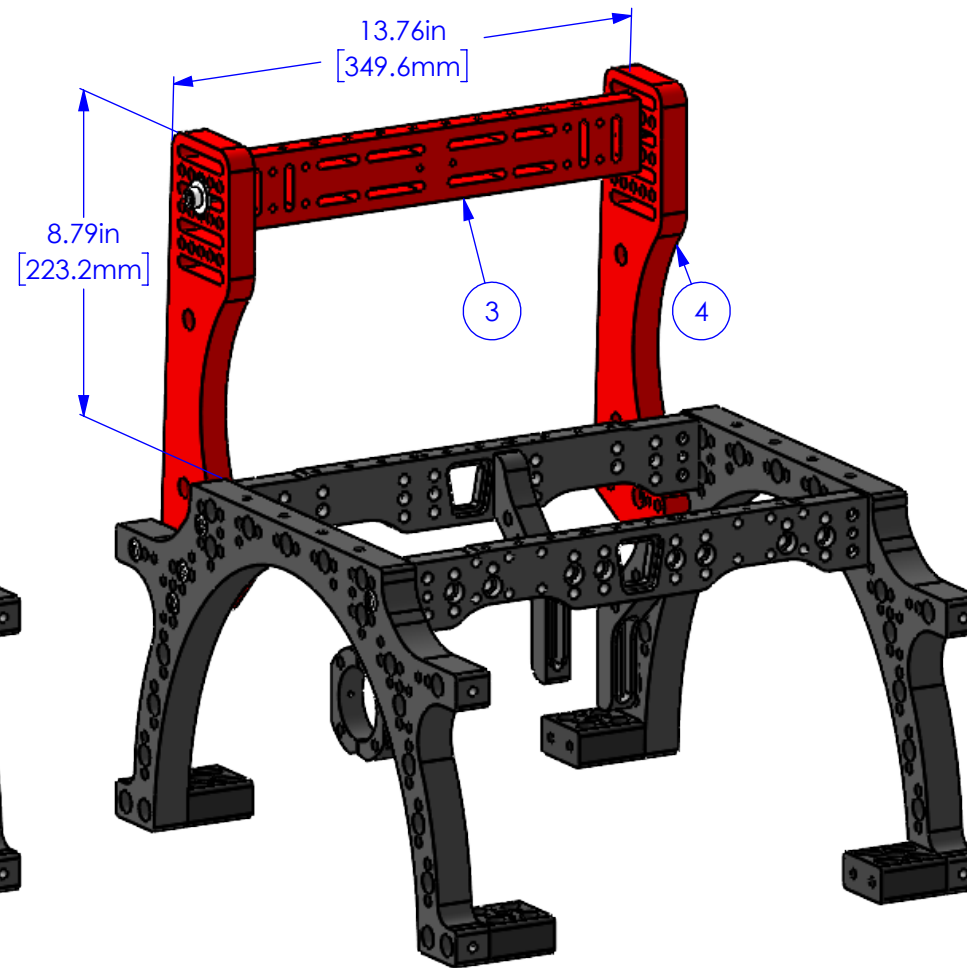


-RAMM BASIC
-RAMM FULL
-RAMM DUAL

THIS DRAWING AND ALL DATA INCLUDED IS THE PROPERTY OF APPLIED SCIENTIFIC INSTRUMENTATION AND THE INFORMATION CONTAINED HEREIN IS FOR GENERAL PRESENTATION PURPOSES ONLY AND MAY CHANGE AT ANY TIME. CONTACT ASI OR A FACTORY REPRESENTATIVE FOR PROJECT SPECIFIC ENGINEERING.



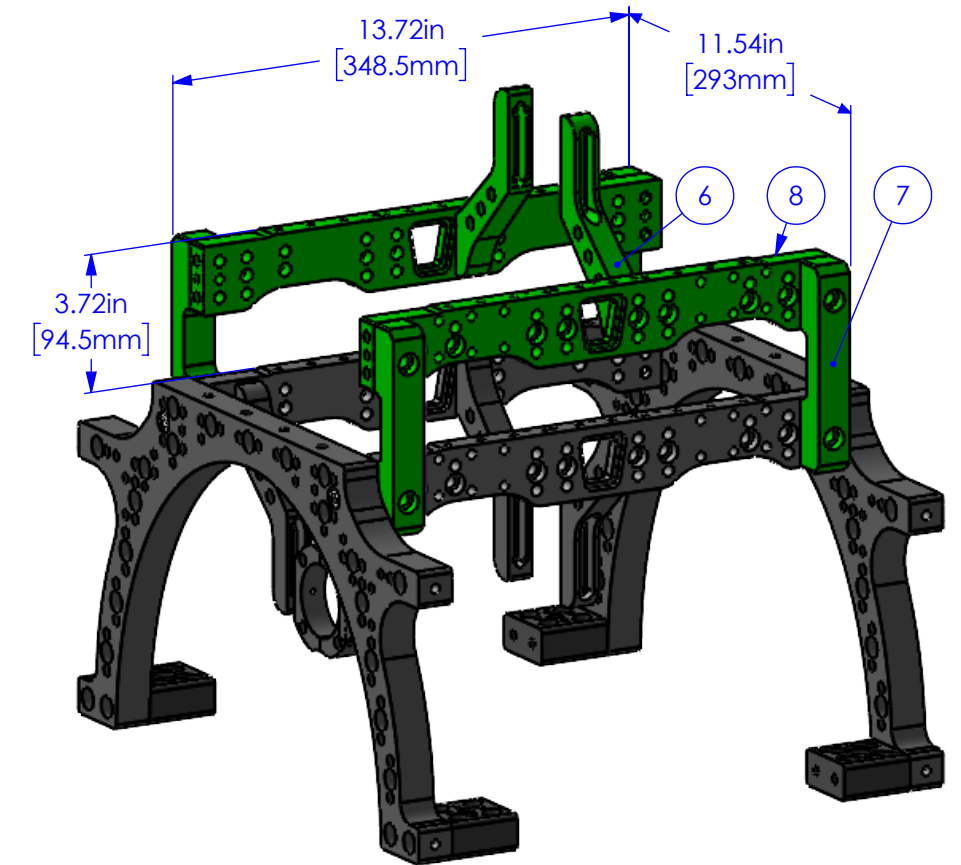
RAMM BASIC



RAMM FULL

-INCLUDES RAMM BASIC FRAMEWORK WITH A RISER FOR TRANSMITTED LIGHT MOUNTING.

RAMM-UPRIGHT KIT:
-2X ABTS-1008 RISER
-1X ABTS-1007 RISER CROSS BAR




RAMM TOPSIDE

-INCLUDES CROSS ARMS FOR SUPPORTING A DOWNWARD-FACING MICROSCOPE ABOVE A LOWER RAMM/MIM AND STAGE.

-4X ABTS-1030 VERT MOUNTING BAR
-2X ABTS-1066 CROSS BAR
-2X ABTS-1016 VERTICAL SUPPORT

ITEM NO.	PART NUMBER
1	ABTS-1001 UPRIGHT
2	ABTS-1002 FOOT CLAMP
3	ABTS-1007 RISER CROSS BAR
4	ABTS-1008 RISER
5	ABTS-1013 MIM CLAMP
6	Default
7	ABTS-1030 VERT MOUNTING BAR
8	ABTS-1066 - CROSS BAR

 PROPRIETARY AND CONFIDENTIAL THE INFORMATION CONTAINED IN THIS DRAWING IS THE SOLE PROPERTY OF APPLIED SCIENTIFIC INSTRUMENTATION. ANY REPRODUCTION IN PART OR AS A WHOLE WITHOUT THE WRITTEN PERMISSION OF APPLIED SCIENTIFIC INSTRUMENTATION IS PROHIBITED.	APPLIED SCIENTIFIC INSTRUMENTATION 29391 W ENID RD EUGENE, OR 97402-9533 PHONE: (541)461-8181 FAX: (541)461-4018	UNLESS OTHERWISE SPECIFIED .xx ± .01 .xxx ± .005 .xxxx ± .0002 FRACTIONS ± 1/32 ANGLES ± 1°	RAMM BASIC / RAMM FULL / RAMM DUAL -3 MOST COMMON RAMM SYSTEM STARTING POINTS			
	DRAWN BY/DATE M.ANTHONY 10/7/2016	CHECKED BY/DATE G.RONDEAU 10/7/2016	SCALE 1:5	REV 0	MATERIAL -MOSTLY MIC-6, 7075 AND 6061 ALUM ANODIZED BLK	DRAWING # RAMM SYSTEM ASSEMBLIES - SYSTEM KITS